

SCALE: 3/4" = 5'

Leased and Managed by:

**ARI-EL**

Ari-El Enterprises, Inc.  
(248) 557-3800  
www.ari-el.com

**GARRISON PLACE**  
**19855 W. Outer Drive**  
**Suite 100-E**  
Dearborn, MI

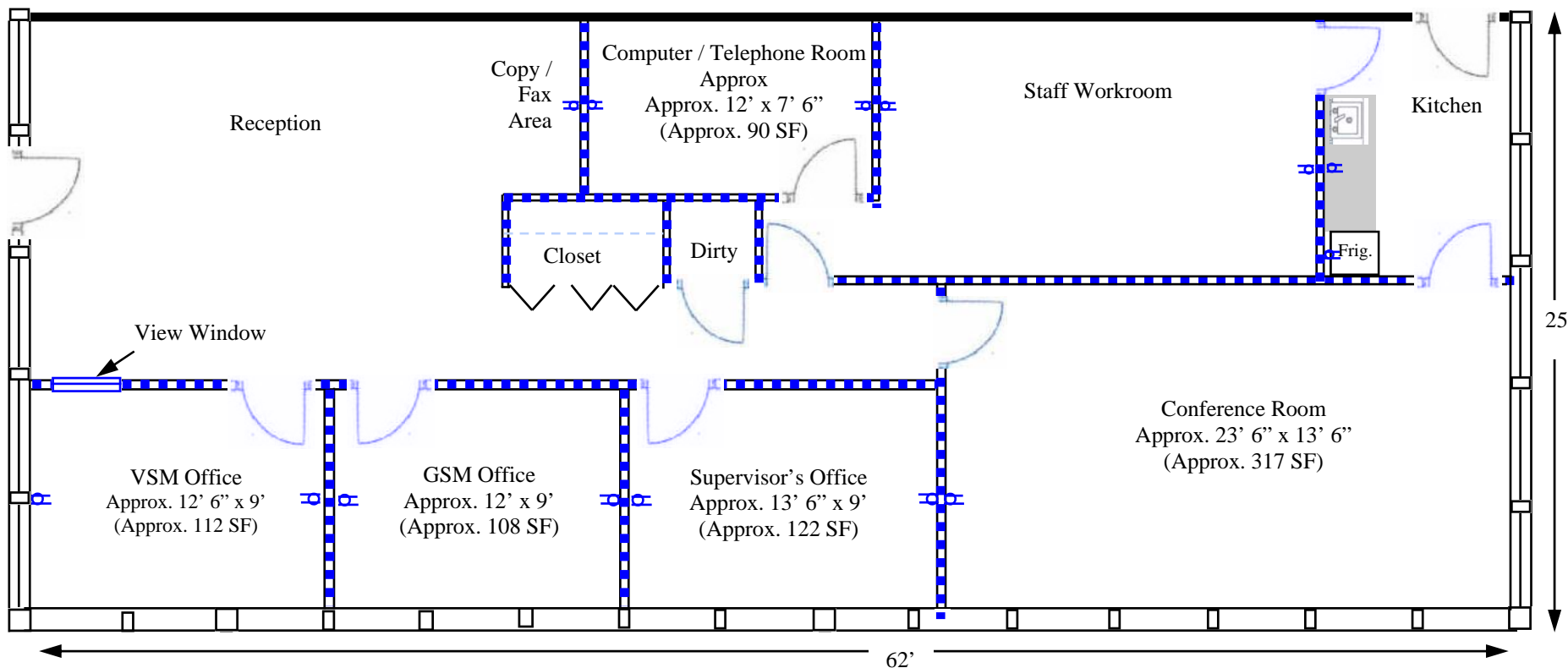
Approx. 1,525 sq. ft.

*Dimensions and positions of walls are approximate and subject to verification*

3.17.2010

**PROPOSED FLOOR PLAN FOR HOSPICE OF MICHIGAN**

Entrance to Garage →



Add Wall  
 New Door  
 New electrical outlets  
 6' Upper and lower cupboards with sink

SCALE: 3/4" = 5'

NOTE: Frig supplied by Tenant

**GARRISON PLACE**  
**19855 W. Outer Drive**  
**Suite 100-E**  
 Dearborn, MI

Approx. 1,525 sq. ft.

Leased and Managed by:

**ARI-EL**

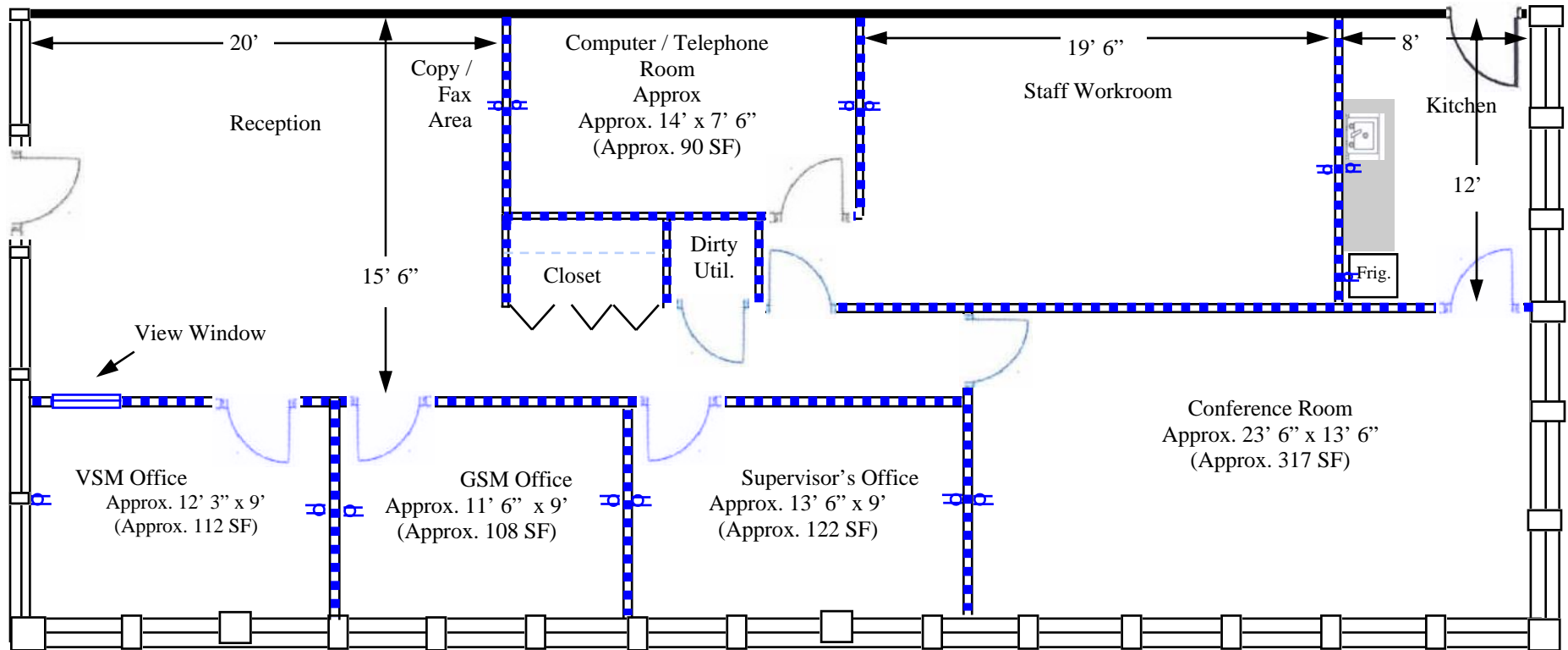
Ari-El Enterprises, Inc.

(248) 557-3800

www.ari-el.com

*Dimensions and positions of walls are approximate and subject to verification*

3.17.2010



Add Wall  
 New Door  
 New electrical outlets  
 6' Upper and lower cupboards with sink

SCALE: 3/4" = 5'  
 NOTE: Frig supplied by Tenant

**GARRISON PLACE**  
**19855 W. Outer Drive**  
**Suite 100-E**  
 Dearborn, MI

Approx. 1,525 sq. ft.

*Dimensions and positions of walls are approximate and subject to verification*

Leased and Managed by:

**ari-el**

Ari-El Enterprises, Inc.

(248) 557-3800

www.ari-el.com

3.17.2010